

LOADING BAY

LOAD & UNLOAD LORRIES SAFELY

TECHNICAL SPECIFICATIONS

NOTE: EVERYTHING CAN BE CUSTOMIZED FOR YOUR NEEDS

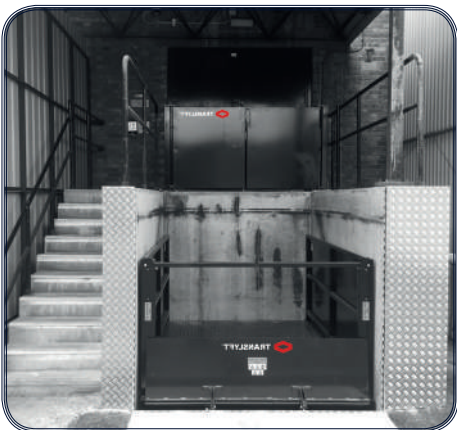
- > LIFT CAPACITY: FROM 1000 - 6000 KG
- > TRAVEL: 550 - 2000 MM.
- > CLOSED HEIGHT: 160 - 550 MM.
- > LENGTH: 900 - 5000 MM.
- > WIDTH: 650 - 3000 MM.
- > POWER SUPPLY: 3X400 V/50 Hz+PE
- > CE MARKED
- > AVAILABLE IN RAL COLOURS, GALVANIZED STEEL AND ATEX
- > RUNS 10 LIFTS PER HOUR 8 HOURS A DAY (FULL TRAVEL)
- PLEASE INQUIRE FOR INTENSIVE USE
- > 2 SAFETY LOCKS FOR MAINTENANCE
- > SAFETY TRIP BAR IN ALUMINIUM
- > 2 COMPONENT POLYURETHANE PAINT (RAL)



TRANSLYFT loading bays are used to compensate for smaller level differences, e.g between the vehicle and the permanent loading ramp or to serve the yard.

The loading bays are designed and equipped to handle heavy loads. At the same time, the loading bay allows for quick loading / unloading of the goods. The entire delivery of goods can be loaded or unloaded in a few operations which saves time.

More information at www.translyft.com



A loading bay can be placed in 3 locations: Open yard, In front of a dock or as this one: In bank.



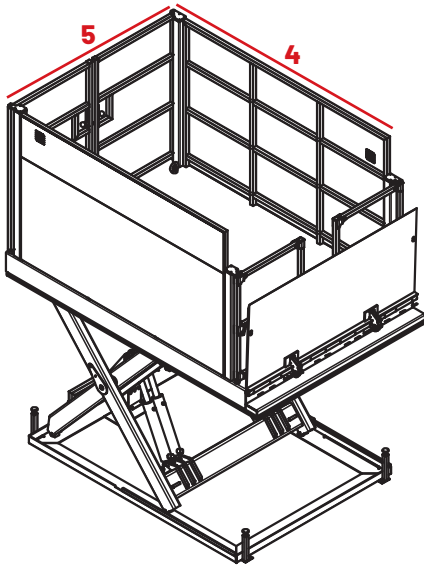
Loading bays can be equipped with different options such as tear drop plate.



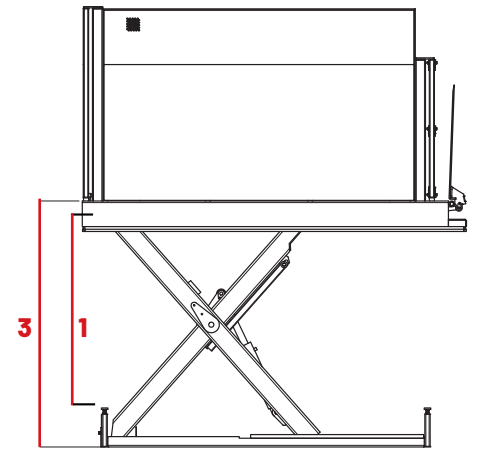
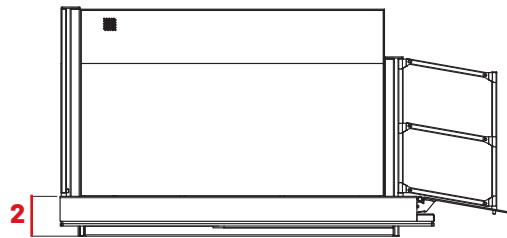
Our loading bays can be delivered in painted or galvanized steel.

Type/Capacity kg	Travel mm	Closed height mm	Total raised height mm	Length mm	Width mm	Lift time sec	Motor kW	Weight kg
TM 1500	1100	230	1330	1700	900	27	0.75	315
TT 3000 R	1600	350	1950	2500	2000	35	2.2	950
TS 2000	1500	250	1750	2200	1200	35	2.2	580
TP 6000	2000	500	2500	3100	1500	75	4	1600

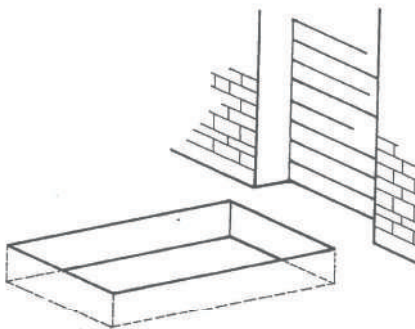
Please note that the models mentioned above is the 4 most used models. We can make a loading bay out of all our standard models. Give us a call at +45 9886 4900 and hear more about your options.



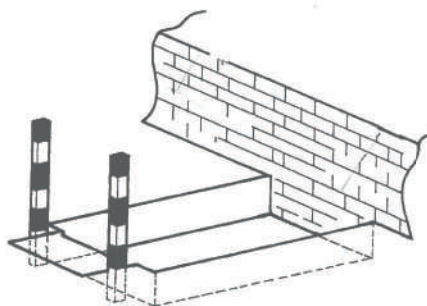
- Capacity** Highest load capability (when loaded correctly)
- Travel (1)** Travel from closed height to top position
- Closed height (2)** Height at lowest position (base frame to platform)
- Total raised height (3)** Height at top position
- Length (4)** Platform length
- Width (5)** Platform width
- Lift time** Time in sec. to top position
- Motor** Size of motor
- Weight** Weight of table



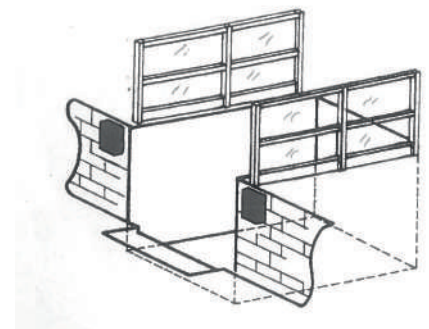
Lift locations for loading bay lifts



Open yard



In front of dock



In bank